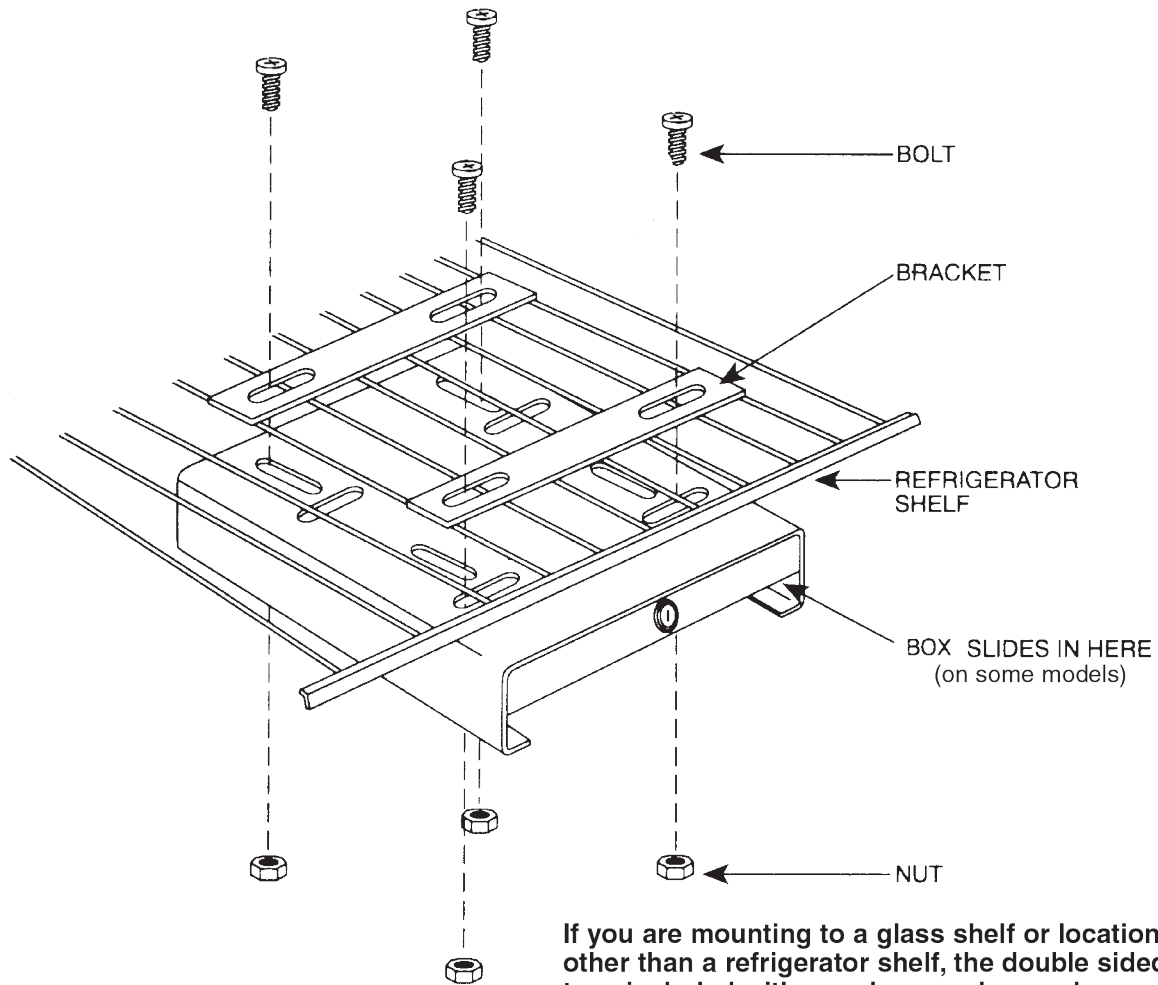


INSTRUCTIONS FOR Refrigerator Tray Assembly



This tray was designed to be attached to wire grid type refrigerator shelves.
If possible remove the refrigerator shelf unit on which the box is to be installed.
Tools required: a $\frac{7}{16}$ " wrench or a socket and a Phillips screwdriver.

1. Using the enclosed sketch as reference, hold the tray under a shelf as close to the front edge of the shelf as possible without interfering with the tray lock.
2. Lay one of the two brackets across the top of the shelf so that the bracket holes line up with those in the top of the tray and then drop two of the enclosed bolts through each pair of holes and tighten nuts with fingers on each of these bolts from the bottom of the tray. Repeat this process with the second bracket.
3. Put the wrench or socket on each nut from the bottom of the tray and tighten with the screwdriver from the top. Do not completely tighten the bolts/nuts until you have determined the final position. Note: these are locking nuts that required a fair amount of effort to install and can not be loosened once installed.
4. Turn the key in the lock so that the lock tab moves out of the way. Slide in the plastic box and turn the key so that the key lock tab is pointing down and is in front of the box (This is a visual indication that the box is secured within the locking tray.)

If you have any questions about the installation and/or use of this locking tray, please contact our Customer Service Team.

Call Free 1.800.848.1633 • Fax Free 1.800.447.2923
Web: GoHCL.com • Email: hcl@GoHCL.com