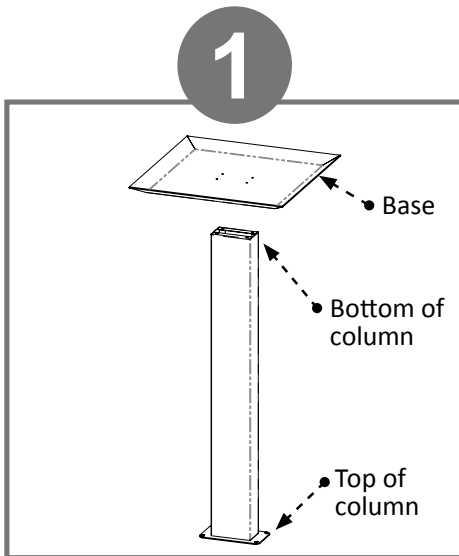


ASSEMBLY INSTRUCTIONS FOR

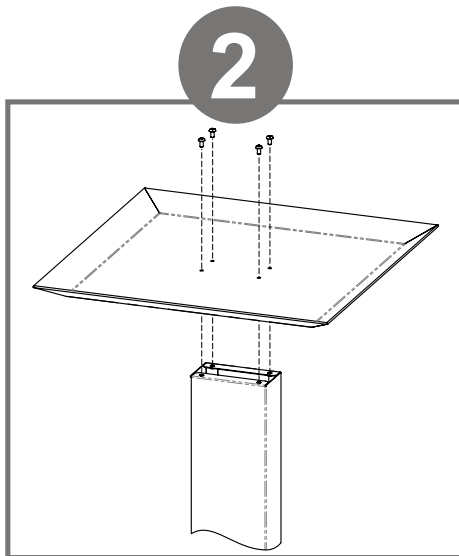
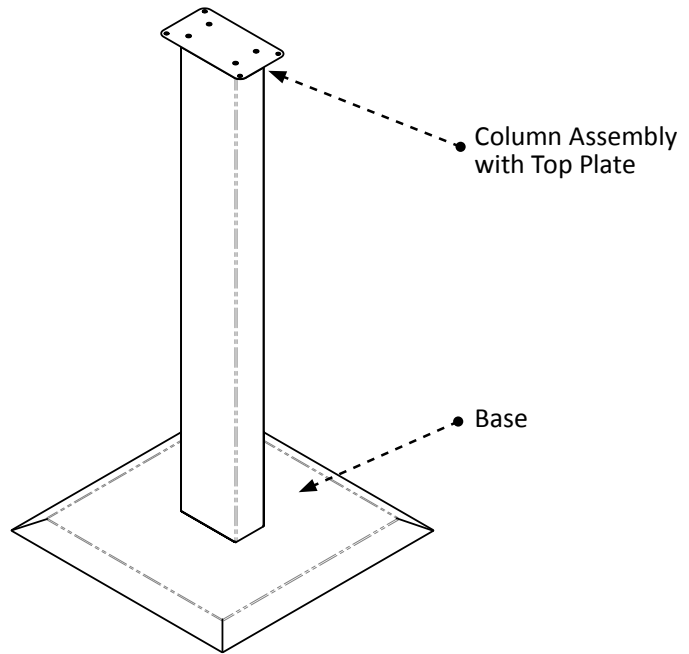
Respiratory Hygiene Station (#17777)

Sign Holder for Respiratory Hygiene Station (#17778)

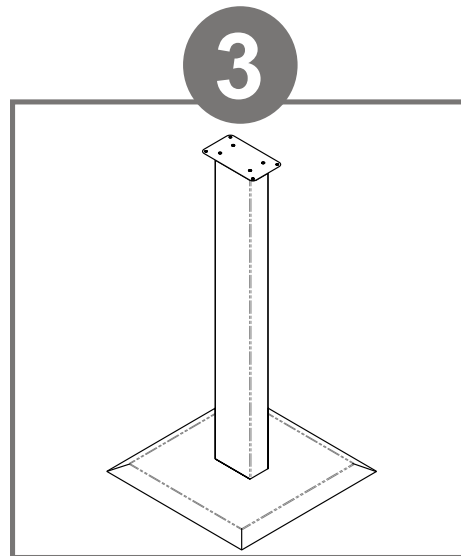
Kiosk Stand (#17779)



To secure base to column, turn column upside down (with top plate down) and place base inverted, as shown, on column.



Use Phillips screwdriver to secure base to column with (4x) screws (10-32 x 5/16").



Turn stand right side up, so the base is on the floor.

Parts included:

- Column
- Base
- Hardware
 - (8x) Screws: (4x) for stand, (4x) included to attach companion product (Phillips type 10-32 x 5/16")

Tools required:

- Phillips Screwdriver

Call Free: 1.800.848.1633 • Fax Free: 1.800.447.2923

Web: GoHCL.com • Email: hcl@GoHCL.com

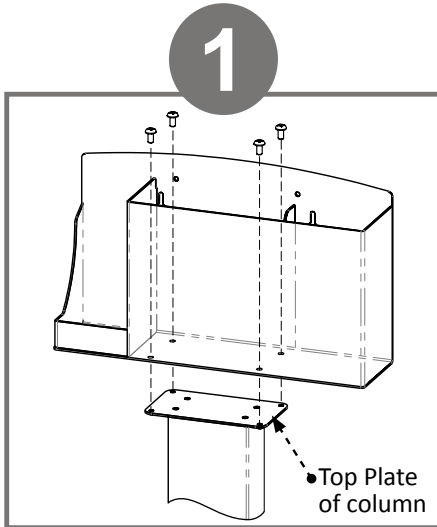
ASSEMBLY INSTRUCTIONS FOR

Respiratory Hygiene Station (#17777)

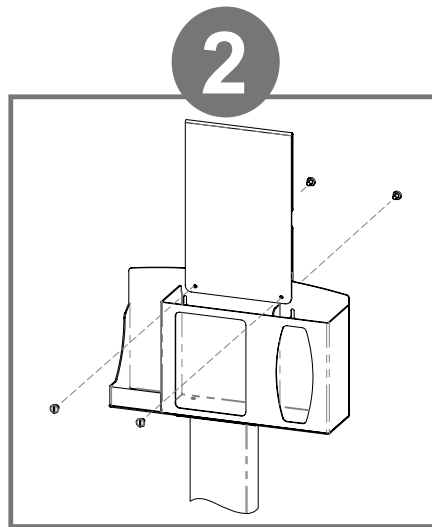
Sign Holder for Respiratory Hygiene Station (#17778)

Kiosk Stand (#17779)

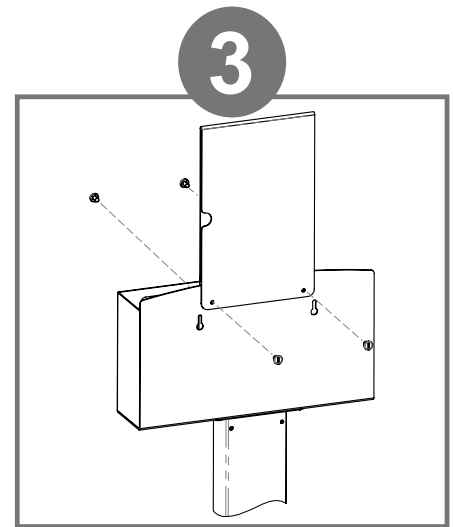
(each accessory sold separately)



Attach selected accessory to the column using (4x) screws included with stand. Tighten.



To mount a sign holder on an accessory without a lid, sandwich the accessory top between the holder, lining up holes. Attach using (2x) barrel screws included with sign holder.



Holder overlaps front and back of accessory as shown.

Call Free: 1.800.848.1633 • Fax Free: 1.800.447.2923
Web: GoHCL.com • Email: hcl@GoHCL.com