

Instructions for the Heat Sealer Replacement Parts Kits

REPLACING THE HEATING ELEMENT, INSULATOR AND COVER.

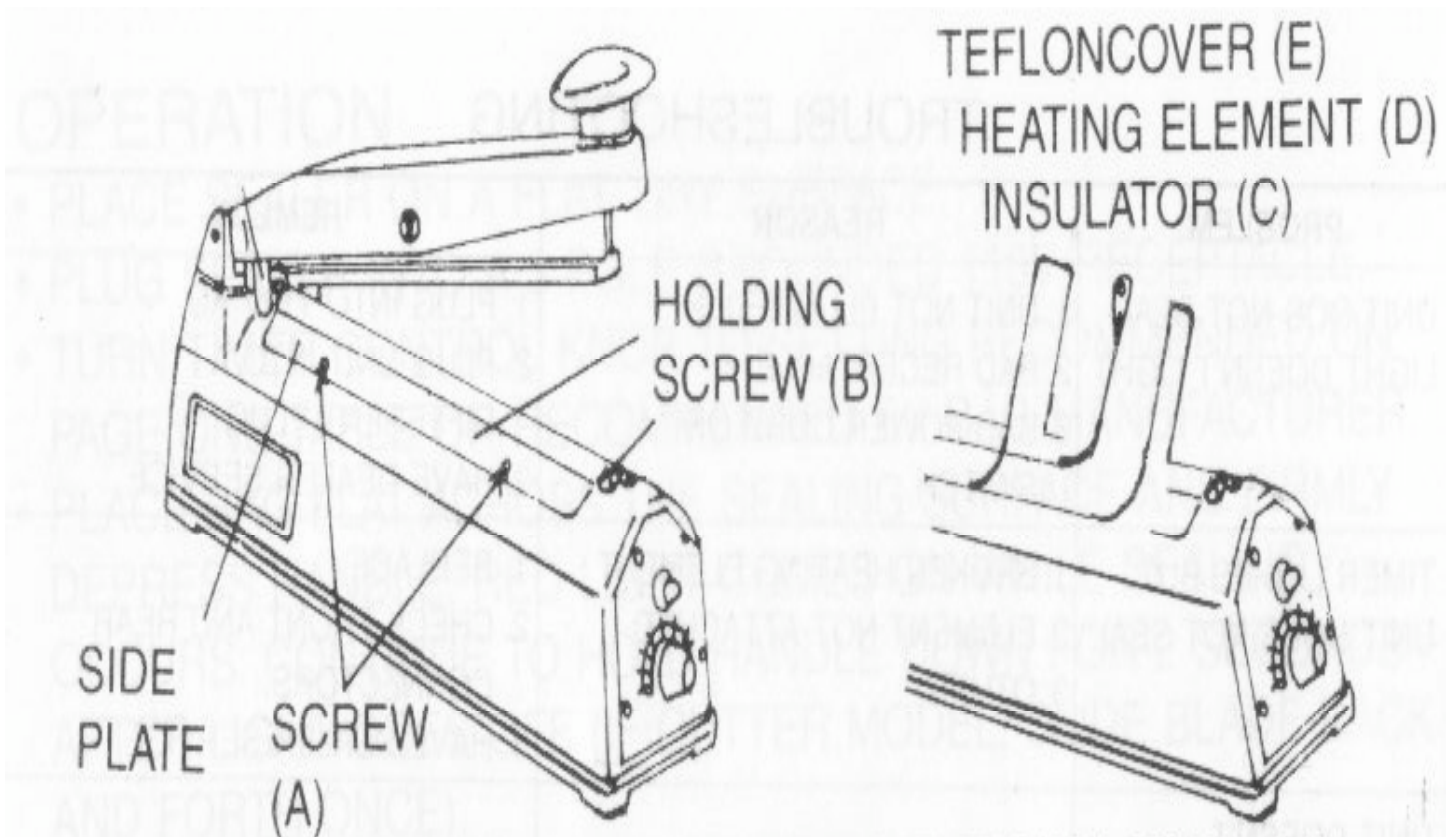
- THE INSULATOR IS THE 1/2" WIDE STRIP THAT STICKS TO THE SEALER **UNDER NEATH** THE HEATING ELEMENT WIRE, THE COVER IS THE 1 1/4" WIDE PIECE OF CLOTH THAT IS **ON TOP** OF THE ELEMENT AND IS HELD IN PLACE BY THE CHROME SIDEPLATES.
- TO CHANGE ANY OF THE THREE PARTS. FIRST LOOSEN THE SIDEPLATE SCREWS (A). THE COVER (E) WILL NOW SLIP OUT. IF IT IS THE ONLY PART THAT IS BURNED, REPLACE IT NOW. IF THE HEATING ELEMENT (D) IS BROKEN, REMOVE THE HOLDING SCREW (B) AND LOCKWASHER. REMOVE THE BROKEN WIRE FROM EACH END AND INSPECT THE INSULATOR (C) FOR BURN HOLES. IF BURNED THROUGH **ANYWHERE**, PULL THE INSULATOR OFF THE FLAT OF THE UNIT AND CLEAN THE AREA WITH ALCOHOL.
- REMOVE THE BACKING FROM A NEW INSULATOR, EXPOSING THE STICKY SIDE, STARTING AT THE BACK (HINGE END) OF SEALER, FIRMLY APPLY THE STICKY SIDE OF THE NEW INSULATOR TO THE FLAT "RAMP". ALLOW APPROX 1/4" OF THE INSULATOR TO HANG OVER EACH END.

Sheet: Replacement Parts Kits
Rev. 08-24-04

Call Free 1 800 848 1633 or 888 HCL INTL® (425 4685) • Fax Free 1 800 447 2923

International Call 740 477 1686 • International Fax 740 477 2923 • Web site <http://www.hcl-intl.com> • E-mail: HCL@hcl-intl.com

Instructions for the Heat Sealer Replacement Parts Kits



- PLACE ONE END OF THE NEW HEATING ELEMENT OVER THE VERTICAL POST SPRING AT THE HINGE END OF THE SEALER, GENTLY PULL THE OTHER END FORWARD AND SECURE THAT END WITH THE FRONT SCREW AND LOCKWASHER.
- REPLACE THE COVER UNDER EACH SIDE PLATE AND CENTER IF SO ALL THE WIRE OF THE ELEMENT IS COVERED TIGHTEN THE 4 SIDEPLATE SCREWS TO SECURE THE COVER. **DO NOT OVERTIGHTEN!**

Sheet: Replacement Parts Kits
Rev. 08-24-04