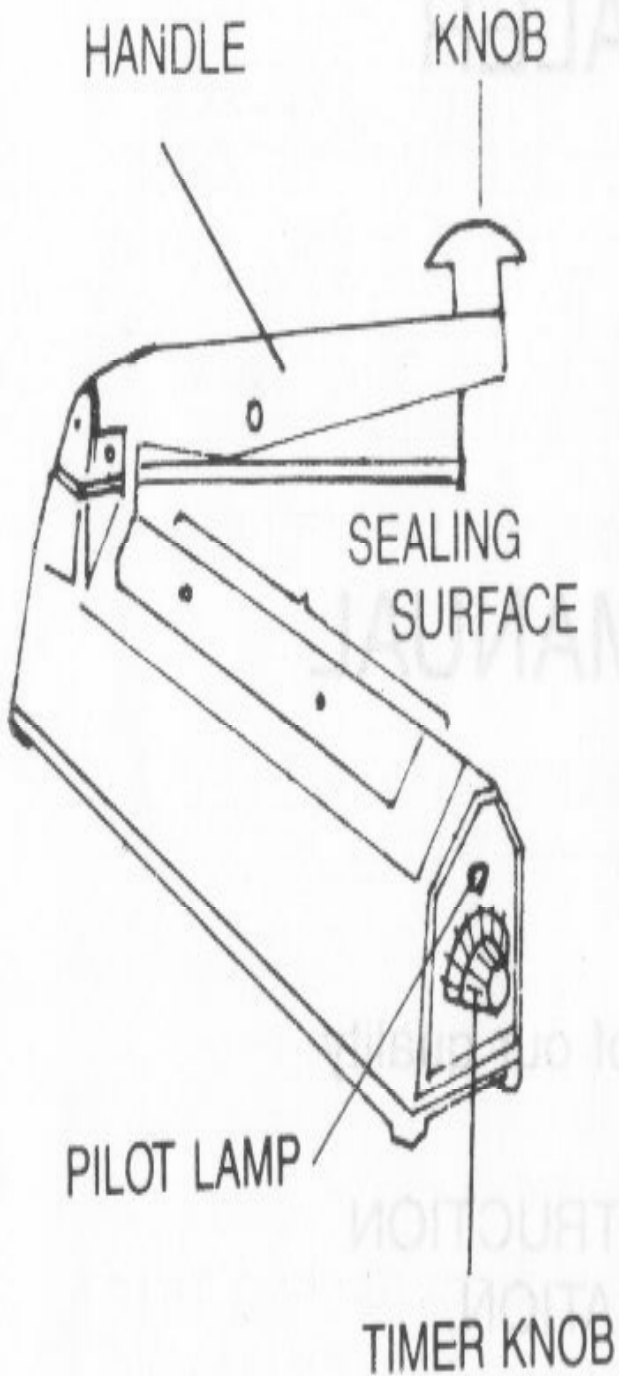


Instructions for Heat Sealers



HEATING ADJUSTMENT LIST

MATERIAL INDICATOR	POLYETHYLENE	POLYPROPYLENE OR HIGH-HEAT FILM
1	UNDER 0.06m/m	
2	UNDER 0.14m/m	
3	UNDER 0.2m/m	UNDER 0.03m/m
4		UNDER 0.05m/m
5		UNDER 0.08m/m

WARNING!!

To reduce the risk of shock, unplug the unit before replacing the cover insulator strip of the heating element.

Sheet: Heat Sealers
Rev. 08-24-04

Instructions for Heat Sealers

OPERATION

- PLACE SEALER ON A FLAT, DRY SURFACE.
- PLUG SEALER INTO A 3 POLE GROUNDED 110V RECEPTACLE.
- TURN TIMER CONTROL KNOB TO SETTING RECOMMENDED ON PAGE ONE TABLE OR RECOMMENDED BY BAG MANUFACTURER.
- PLACE BAG FLAT ACROSS THE SEALING SURFACE AND FIRMLY DEPRESS HANDLE. RED LIGHT COMES ON WHILE SEALING OCCURS. CONTINUE TO HOLD HANDLE DOWN FOR 2 SECONDS AFTER LIGHT GOES OFF (IF CUTTER MODEL, SLIDE BLADE BACK AND FORTH ONCE).
- INSPECT SEAL BY HOLDING BAG TO LIGHT. THE SEAL LINE SHOULD BE CONTINUOUS AND EVEN, YET NOT BURNED.
- IF THE SEAL IS UNEVEN OR NOT COMPLETE, RAISE TIMER SETTING.
- IF THE SEAL IS BURNED OR STICKS TO THE SILICONE RUBBER LOWER THE TIMER SETTING.

ALWAYS OPERATE THE SEALER AT THE LOWEST SETTING THAT PRODUCES A STRONG, EVEN SEAL. HIGHER SETTINGS SHORTEN THE LIFE OF THE ELEMENT, INSULATOR AND COVER.

- 2 -

Sheet: Heat Sealers
Rev. 08-24-04

Call Free 1 800 848 1633 or 888 HCL INTL® (425 4685) • Fax Free 1 800 447 2923

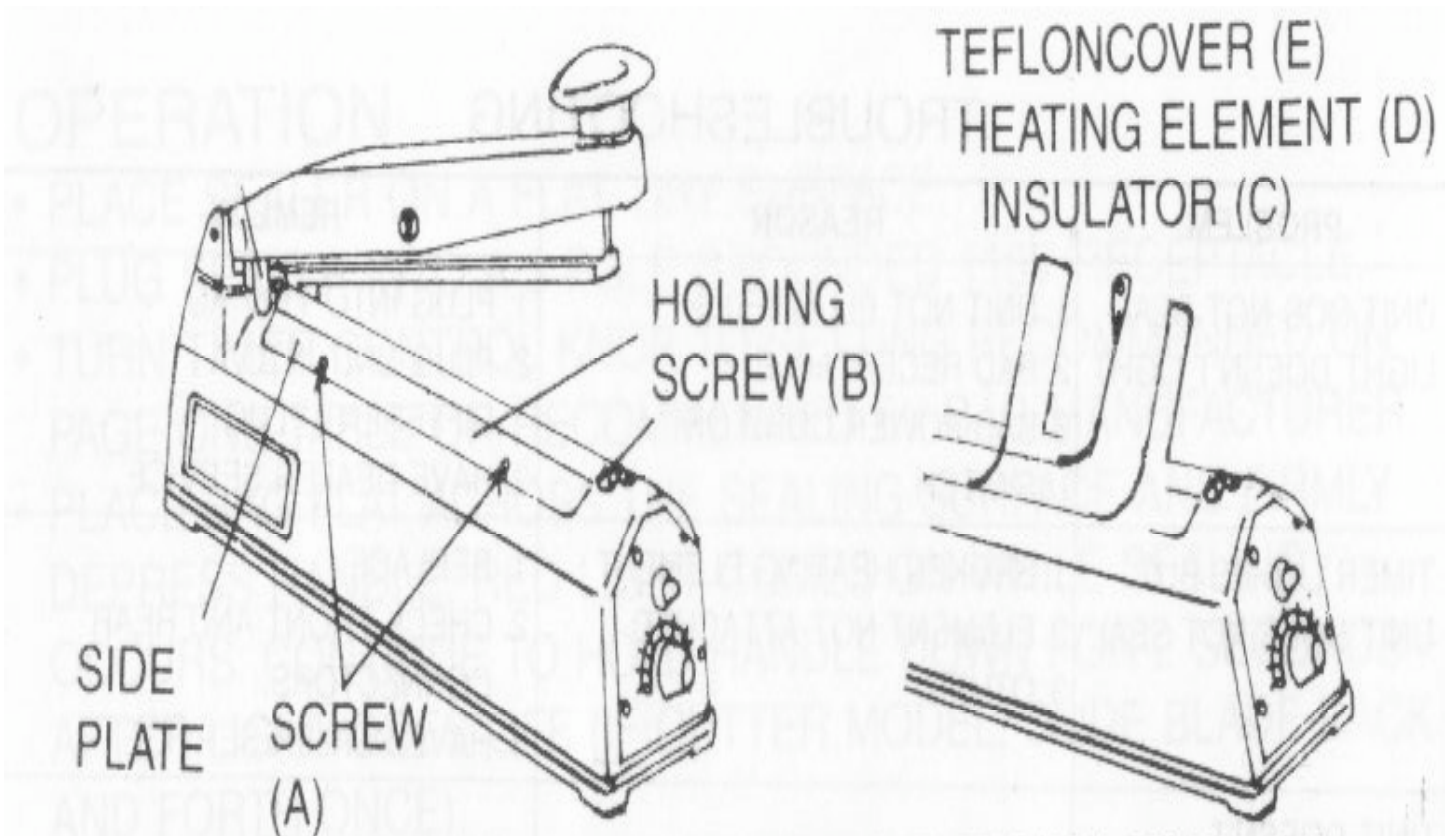
International Call 740 477 1686 • International Fax 740 477 2923 • Web site <http://www.hcl-intl.com> • E-mail: HCL@hcl-intl.com

Instructions for Heat Sealers

REPLACING THE HEATING ELEMENT, INSULATOR AND COVER.

- THE INSULATOR IS THE 1/2" WIDE STRIP THAT STICKS TO THE SEALER **UNDER NEATH** THE HEATING ELEMENT WIRE, THE COVER IS THE 1 1/4" WIDE PIECE OF CLOTH THAT IS **ON TOP** OF THE ELEMENT AND IS HELD IN PLACE BY THE CHROME SIDEPLATES.
- TO CHANGE ANY OF THE THREE PARTS. FIRST LOOSEN THE SIDEPLATE SCREWS (A). THE COVER (E) WILL NOW SLIP OUT. IF IT IS THE ONLY PART THAT IS BURNED, REPLACE IT NOW. IF THE HEATING ELEMENT (D) IS BROKEN, REMOVE THE HOLDING SCREW (B) AND LOCKWASHER. REMOVE THE BROKEN WIRE FROM EACH END AND INSPECT THE INSULATOR (C) FOR BURN HOLES. IF BURNED THROUGH **ANYWHERE**, PULL THE INSULATOR OFF THE FLAT OF THE UNIT AND CLEAN THE AREA WITH ALCOHOL.
- REMOVE THE BACKING FROM A NEW INSULATOR, EXPOSING THE STICKY SIDE, STARTING AT THE BACK (HINGE END) OF SEALER, FIRMLY APPLY THE STICKY SIDE OF THE NEW INSULATOR TO THE FLAT "RAMP". ALLOW APPROX 1/4" OF THE INSULATOR TO HANG OVER EACH END.

Instructions for Heat Sealers



- PLACE ONE END OF THE NEW HEATING ELEMENT OVER THE VERTICAL POST SPRING AT THE HINGE END OF THE SEALER, GENTLY PULL THE OTHER END FORWARD AND SECURE THAT END WITH THE FRONT SCREW AND LOCKWASHER.
- REPLACE THE COVER UNDER EACH SIDE PLATE AND CENTER IF SO ALL THE WIRE OF THE ELEMENT IS COVERED TIGHTEN THE 4 SIDEPLATE SCREWS TO SECURE THE COVER. **DO NOT OVERTIGHTEN!**

Instructions for Heat Sealers

TROUBLESHOOTING

PROBLEM	REASON	REMEDY
UNIT DOES NOT SEAL- LIGHT DOESN'T LIGHT	1. UNIT NOT PLUGGED IN 2. BAD RECEPTACLE 3. BAD POWER CORD OR SWITCH.	1. PLUG INTO 110V AC 2. PLUG UNIT INTO A DIFFERENT PLUG 3. HAVE DEALER SERVICE
TIMER LIGHTS BUT UNIT DOES NOT SEAL	1. BROKEN HEATING ELEMENT 2. ELEMENT NOT ATTACHED 3. OTHER	1. REPLACE 2. CHECK FRONT AND REAR CONNECTORS. 3. HAVE DEALER SERVICE.
UNIT DOESN'T SHUT OFF	BAD SWITCH	DEALER SERVICE
HEATING ELEMENT BREAKS FREQUENTLY	1. TIMER SET TOO HIGH 2. INSULATOR BURNEN THROUGH 3. SEALING TOO FAST	1. LOWER SETTING. 2. REPLACE 3. ALLOW 3 SECOND COOL DOWN AFTER EACH SEAL WHILE HOLDING HANDLE DOWN.
SEAL UNEVEN OR DOESN'T HOLD	1. TIMER SET TOO LOW 2. SILICONE RUBBER IS PITTED. 3. TIMER SETTING TOO HIGH.	1. GRADUALLY INCREASE TIMER SETTING. 2. REPLACE 3. GRADUALLY REDUCE TIMER SETTING.

Instructions for Heat Sealers

- INSPECT THE COVER AND INSULATOR FREQUENTLY FOR BURN HOLES. WHEN THE INSULATOR BURNS THROUGH, IT ALLOWS THE ELEMENT TO TOUCH METAL AND GROUND OUT, CAUSING THE ELEMENT TO BREAK, WHEN THE COVER BURNS THROUGH, THE ELEMENT WILL BURN AND PIT THE SILICONE RUBBER IN THE HANDLE, CAUSING GAPS IN THE SEAL, WHEN EITHER PART BURNS OUT REPLACE IMMEDIATELY WITH COMPATIBLE NEW PART.
- DO NOT EXPOSE THE SEALER TO STANDING WATER OR CHEMICAL WHEN SEALING, DEPRESS HANDLE **FIRMLY** BUT GENTLY.

CONNECTION DIAGRAM

