

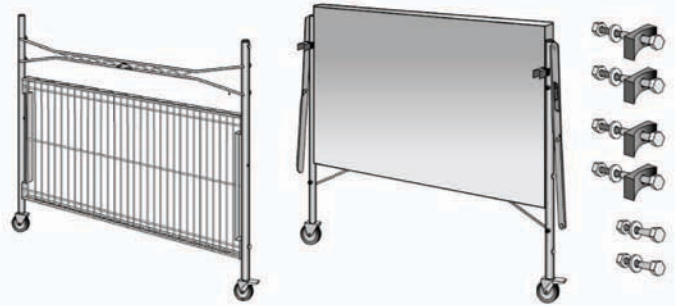
ASSEMBLY INSTRUCTIONS FOR

Folding Work Table (#18628)

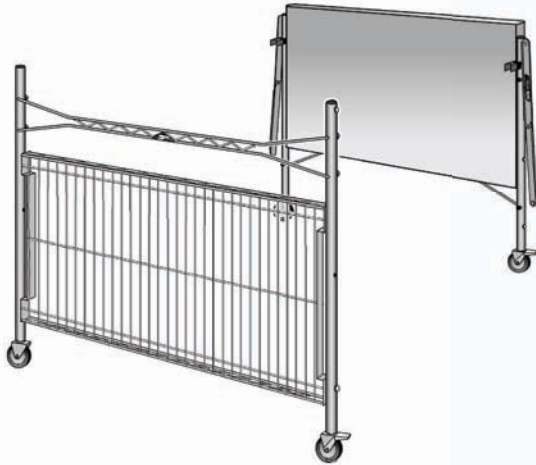
WARNING - TIPPING HAZARD

- ▶ Before using unfolded unit, the hinges must be in the locked position.
- ▶ Do not lift or move unfolded unit, especially if loaded.
- ▶ Do not lean or sit on an unfolded unit.
- ▶ Fold unit before moving; Secure the clamps on the short posts to the tall posts.

Components



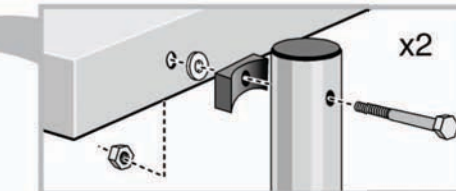
1



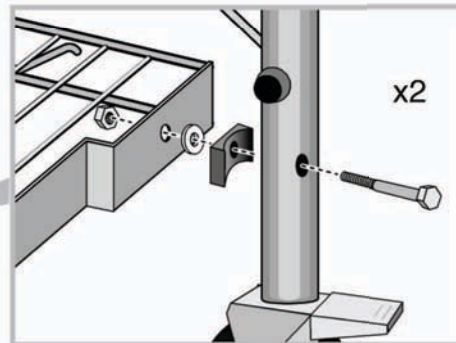
2



3



Do not over-tighten nuts.



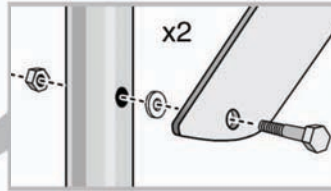
Call Free 1.800.848.1633 • Fax Free 1.800.447.2923

Web: GoHCL.com • Email: hcl@GoHCL.com

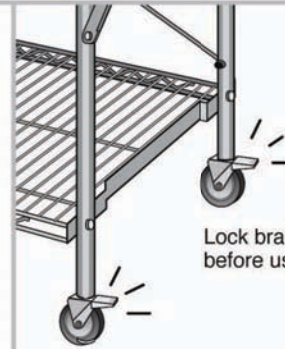
ASSEMBLY INSTRUCTIONS FOR

Folding Work Table (#18628)

4



5



Lock brake casters before using.

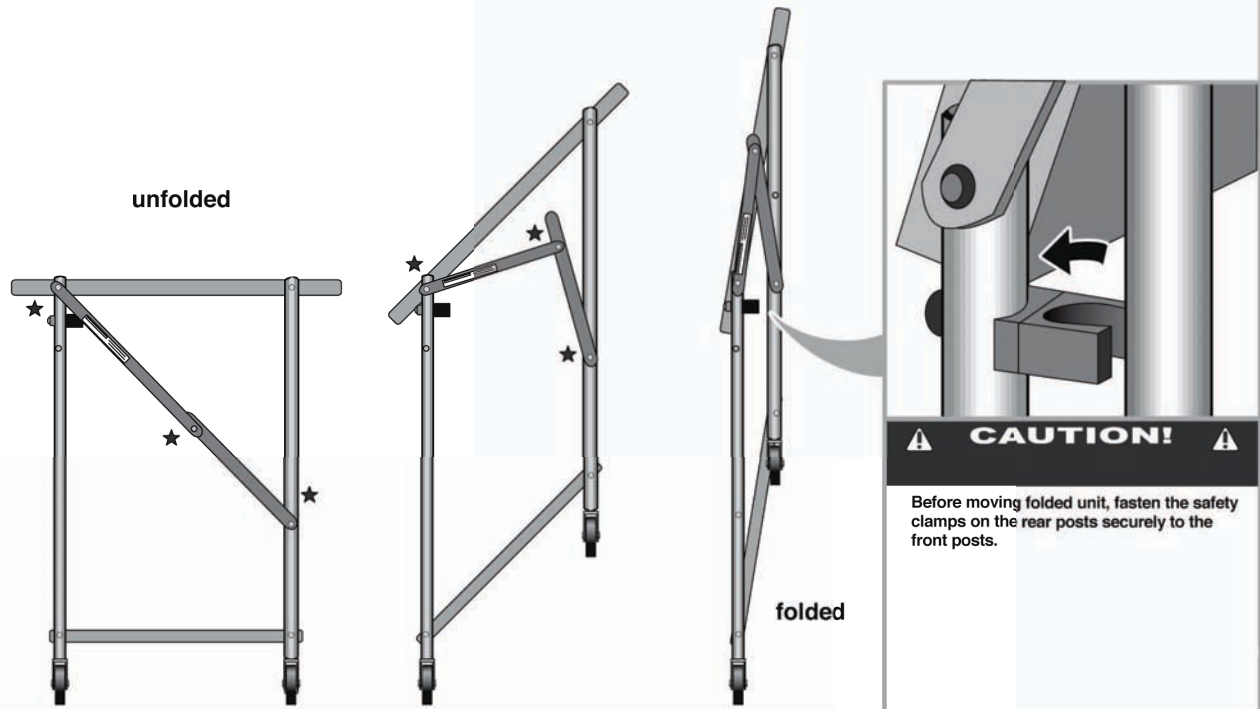
⚠ WARNING

Before using, lock hinges securely into position. When folding or unfolding unit, watch out for the "pinch-points" (★) on the hinge!



Folding & Unfolding

Fold and unfold the unit as shown below. Before moving folded unit, fasten the safety clamps on the rear posts securely to the front posts.



Call Free 1.800.848.1633 • Fax Free 1.800.447.2923

Web: GoHCL.com • Email: hcl@GoHCL.com