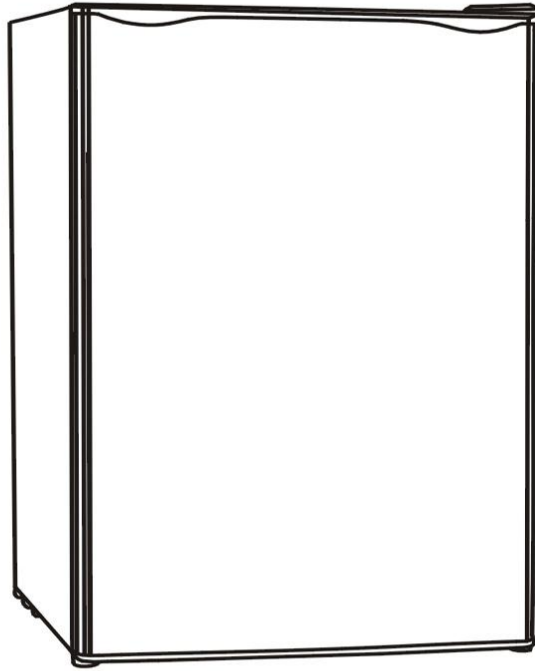


INSTRUCTIONS FOR

Locking Refrigerator, 2.5 cu ft #18572



INSTRUCTION MANUAL

**BEFORE USE, PLEASE READ AND FOLLOW ALL SAFETY RULES
AND OPERATING INSTRUCTIONS.**

Write Serial Number (on back of unit) here:

Call Free 1.800.848.1633 • Fax Free 1.800.447.2923
Web: www.HealthCareLogistics.com • Email: hcl@HealthCareLogistics.com

INSTRUCTIONS FOR

Locking Refrigerator, 2.5 cu ft #18572

IMPORTANT SAFEGUARDS



Before the refrigerator is used, it must be properly positioned and installed as described in this manual, so read the manual carefully. To reduce the risk of fire, electrical shock or injury when using the refrigerator, follow basic precautions, including the following:

DANGER

- Plug into a grounded 3-prong outlet, do not remove grounding prong, do not use an adapter, and do not use an extension cord.
- It is recommended that a separate circuit, serving only your refrigerator be provided. Use receptacles that cannot be turned off by a switch or pull chain.
- Never clean refrigerator parts with flammable fluids. These fumes can create a fire hazard or explosion. And do not store or use gasoline or other flammable vapors and liquids in the vicinity of this or any other appliance. The fumes can create a fire hazard or explosion.
- Before proceeding with cleaning and maintenance operations, make sure the power line of the unit is disconnected.
- Do not connect or disconnect the electric plug when your hands are wet.
- Unplug the refrigerator or disconnect power before cleaning or servicing. Failure to do so can result in electrical shock or death.
- Do not attempt to repair or replace any part of your refrigerator unless it is specifically recommended in this manual. All other servicing should be referred to a qualified technician.
- ***Risk of child entrapment!***
Child entrapment and suffocation are not problems of the past. Junked or abandoned refrigerators are still dangerous, even if they will "just sit in the garage a few days."
 - ✓ **Before you throw away your old refrigerator:** Take off the doors. Leave the shelves in place so that children may not easily climb inside.
 - ✓ Never allow children to operate, play with, or crawl inside the refrigerator.

WARNING

FOLLOW WARNING CALL-OUTS BELOW ONLY WHEN APPLICABLE TO YOUR MODEL

- Use two or more people to move and install refrigerator. Failure to do so can result in back or other injury.
- To ensure proper ventilation for your refrigerator, the front of the unit must be completely unobstructed. Choose a well-ventilated area with temperatures above 60°F (16°C) and below 90°F (32°C). This unit must be installed in an area protected from the elements, such as wind,

INSTRUCTIONS FOR

Locking Refrigerator, 2.5 cu ft #18572

rain, water spray or drips.

- The refrigerator should not be located next to ovens, grills or other sources of high heat.
- The refrigerator must be installed with all electrical, water and drain connections in accordance with state and local codes. A standard electrical supply (115 V AC only, 60 Hz), properly grounded in accordance with the National Electrical Code and local codes and ordinances is required.
- Do not kink or pinch the power supply cord of refrigerator.
- The fuse (or circuit breaker) size should be 15 amperes.
- It is important for the refrigerator to be leveled in order to work properly. You may need to make several adjustments to level it.
- Check for leaks after connection.
- Never allow children to operate, play with or crawl inside the refrigerator.
- This appliance is not intended for use by persons (including children) with reduced physical, sensory or mental capabilities, or lack of experience and knowledge, unless they have been given supervision or instruction concerning use of the appliance by a person responsible for their safety.
- **IMPORTANT:** Do not use mechanical devices or other means to accelerate the defrosting process, other than those recommended by the manufacturer.
- **IMPORTANT:** Do not damage the refrigerant circuit.
- **IMPORTANT:** Do not use electrical appliances inside the food storage compartment of the appliance, unless they are of the type recommended by the manufacturer.
- Do not use solvent-based cleaning agents or abrasives on the interior. These cleaners may damage or discolor the interior.
- Do not use this apparatus for other than its intended purpose.

SAVE THESE INSTRUCTIONS

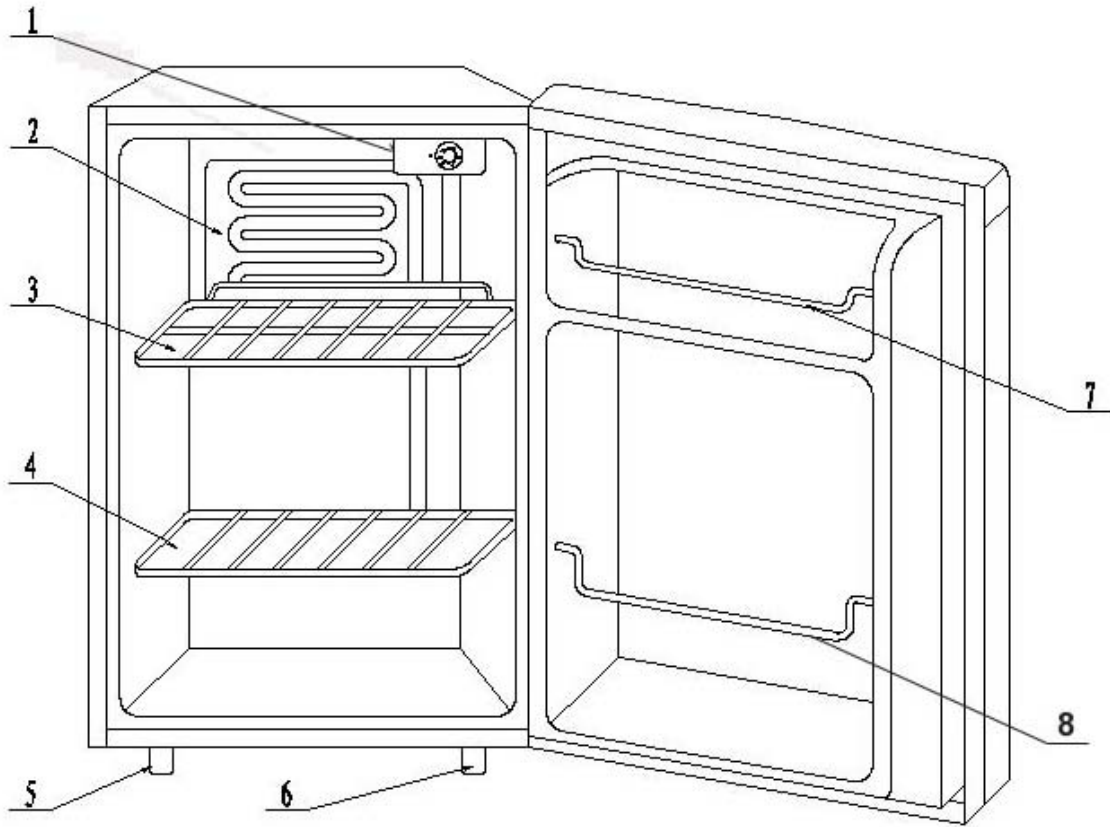
Call Free 1.800.848.1633 • Fax Free 1.800.447.2923

Web: www.HealthCareLogistics.com • Email: hcl@HealthCareLogistics.com

INSTRUCTIONS FOR

Locking Refrigerator, 2.5 cu ft #18572

LOCATION OF PARTS



1. Temperature control (thermostat)
2. Evaporator
3. Upper storage shelf
4. Lower storage shelf
5. Front leg
6. Leveling leg
7. Upper door bin
8. Bottle storage bin

Call Free 1.800.848.1633 • Fax Free 1.800.447.2923
Web: www.HealthCareLogistics.com • Email: hcl@HealthCareLogistics.com

INSTRUCTIONS FOR

Locking Refrigerator, 2.5 cu ft #18572

Before Using Your Refrigerator

- Remove the exterior and interior packing.
- Check to be sure you have all of the following parts:
 - Instruction manual
 - 2 refrigerator shelves
- Before connecting the refrigerator to the power source, let it stand upright for approximately 2 hours. This will reduce the possibility of a malfunction in the cooling system from handling during transportation.
- Clean the interior surface with lukewarm water using a soft cloth.

Installation of Your Refrigerator

- This appliance is designed to be free-standing only, and should not be recessed or built-in.
- Place your refrigerator on a floor that is strong enough to support the refrigerator when it is fully loaded. To level your refrigerator, adjust the leg at the front of the refrigerator.
- Allow 5 inches of space at the back and sides of the refrigerator, which allows the proper air circulation to cool the compressor.
- Locate the refrigerator away from direct sunlight and sources of heat (stove, heater, radiator, etc.). Direct sunlight may affect the acrylic coating and heat sources may increase electrical consumption. Extremely cold ambient temperatures may also cause the refrigerator not to perform properly.
- Avoid locating the refrigerator in moist areas.
- After plugging the appliance into a wall outlet, allow the unit to cool down for 2-3 hours before placing food into the refrigerator.

When installing the unit on a table or countertop, keep the following in mind:

- Surface (countertop) is flat, level, and strong enough to support the unit once it is fully loaded.
- Surface is wide enough to accommodate the unit without any overhang.
- Surface is deep enough to accommodate the unit when the door is opened to 90°.

Electrical Connection

⚡ Warning ⚡

Improper use of the grounded plug can result in the risk of electrical shock. If the power cord is damaged, have it replaced by an authorized service center.

- Plug the refrigerator into an exclusive, properly installed-grounded wall outlet. Do not under any circumstances cut or remove the third (ground) prong from the power cord. Any questions concerning power and/or grounding should be directed toward a certified electrician or an authorized service center.

Call Free 1.800.848.1633 • Fax Free 1.800.447.2923

Web: www.HealthCareLogistics.com • Email: hcl@HealthCareLogistics.com

INSTRUCTIONS FOR

Locking Refrigerator, 2.5 cu ft #18572

- This refrigerator should be properly grounded for your safety. The power cord of this refrigerator is equipped with a three-prong plug that mates with standard three-prong wall outlets to minimize the possibility of electrical shock.
- This refrigerator requires a standard 115/120-volt, 60Hz electrical outlet with three-prong ground.
- Do not under any circumstances cut or remove the third ground prong from the power cord supplied.
- The cord should be secured behind the refrigerator and not left exposed or dangling to prevent accidental injury.
- Never unplug the refrigerator by pulling the power cord. Always grip the plug firmly and pull straight out from the receptacle.
- The use of an extension cord is not recommended.

OPERATING YOUR REFRIGERATOR

Setting the Temperature Control

- Your unit has only one control for regulating the temperature in the compartment. The temperature control, or thermostat, is located on the upper right hand side of the compartment.
- The first time you turn the unit on, set the temperature control to **5**.
- The range of the temperature control is from position **0** to **5**. After 24 to 48 hours, adjust the temperature control to the setting that best suits your needs. The setting of **3** should be appropriate for home or office use.
- To turn the appliance off, turn the temperature control to **0**.

NOTES:

- Turning the temperature control to the **0** position stops the cooling cycle but does not shut off the power to the unit.
- If the unit is unplugged, has lost power, or is turned off, you must wait 3 to 5 minutes before restarting the unit. If you attempt to restart before this time delay, the unit will not start.

Call Free 1.800.848.1633 • Fax Free 1.800.447.2923

Web: www.HealthCareLogistics.com • Email: hcl@HealthCareLogistics.com

INSTRUCTIONS FOR

Locking Refrigerator, 2.5 cu ft #18572

CARE AND MAINTENANCE

Defrosting Your Refrigerator

Defrost the refrigerator when the frost accumulated on the evaporator is about 1/4 inch thick. Set the thermostat dial to the **0** position. Remove perishable foods. Place a towel on the floor of the refrigerator to absorb the melt water. Defrosting usually takes a few hours. After defrosting, return the thermostat dial to the desired position. Remove the towel and dry the inside of the cabinet with a soft cloth. To defrost quickly, remove all foods from the refrigerator and leave the door open. Never use a knife or other metal instrument to scrape ice/frost from the evaporator.

Cleaning Your Refrigerator

- Turn the temperature control to **0**, unplug the refrigerator, and remove the food, shelves, and any trays.
- Wash the inside surfaces with a warm water and baking soda solution. The solution should be about 2 tablespoons of baking soda to a quart of water.
- Wash the shelves and trays with a mild detergent solution.
- The outside of the refrigerator should be cleaned with mild detergent and warm water. Rinse well and wipe dry with a clean soft cloth.
- Wring excess water out of the sponge or cloth when cleaning the area of the controls, or any electrical parts.

Vacation Time

- **Short vacations:** Leave the refrigerator operating during vacations of less than three weeks.
- **Long vacations:** If the appliance will not be used for several months, remove all food and unplug the power cord. Clean and dry the interior thoroughly. To prevent odor and mold growth, leave the door open slightly, blocking it open if necessary.

Moving Your Refrigerator

1. Remove all the food.
2. Securely tape down all loose items inside your refrigerator.
3. Turn the leveling screw up to the base to avoid damage.
4. Tape the door shut.
5. Be sure the refrigerator stays secure in the upright position during transportation. Also protect the outside of the refrigerator with a blanket or similar item.

Energy Saving Tips

- The refrigerator should be located in the coolest area of the room, away from heat-producing appliances, and out of direct sunlight.
- Let hot foods cool to room temperature before placing in the refrigerator. Overloading the

Call Free 1.800.848.1633 • Fax Free 1.800.447.2923

Web: www.HealthCareLogistics.com • Email: hcl@HealthCareLogistics.com

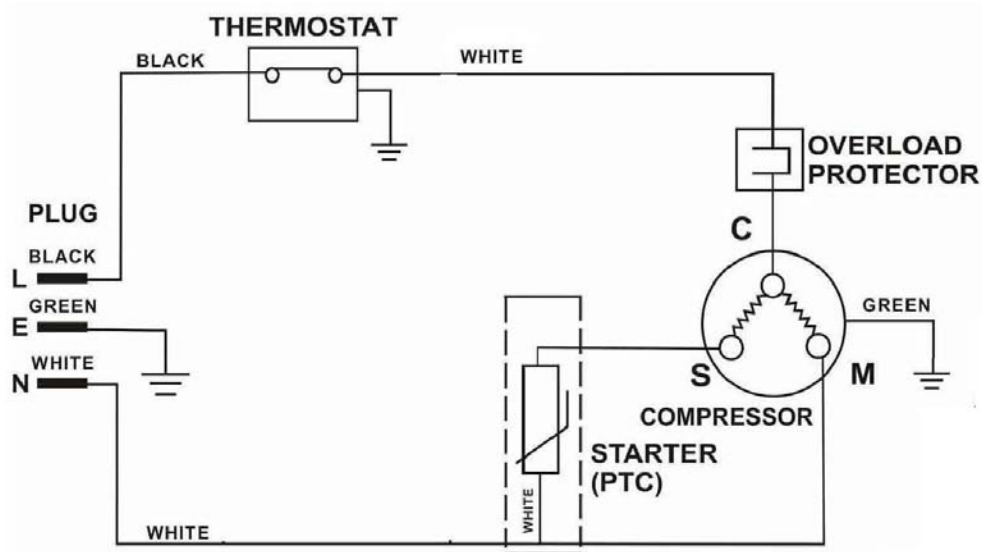
INSTRUCTIONS FOR

Locking Refrigerator, 2.5 cu ft #18572

refrigerator forces the compressor to run longer.

- Be sure to wrap foods properly, and wipe containers dry before placing them in the refrigerator. This cuts down on frost build-up inside the refrigerator.
- Refrigerator shelves should not be lined with aluminum foil, wax paper, or paper toweling. Liners interfere with cold air circulation, making the refrigerator less efficient.
- Organize and label food to reduce door openings and extended searches. Remove as many items as needed at one time, and close the door as soon as possible.

WIRING DIAGRAM



Call Free 1.800.848.1633 • Fax Free 1.800.447.2923

Web: www.HealthCareLogistics.com • Email: hcl@HealthCareLogistics.com

INSTRUCTIONS FOR

Locking Refrigerator, 2.5 cu ft #18572

PROBLEMS WITH YOUR REFRIGERATOR?

You can solve many common refrigerator problems easily, saving you the cost of a possible service call. Try the suggestions below to see if you can solve the problem before calling a service technician.

TROUBLESHOOTING GUIDE

Problem	Possible Cause
Refrigerator does not operate.	Not plugged in. The circuit breaker has tripped or fuse has blown. The thermostat is at the 0 position.
Turns on and off frequently.	The room temperature is warmer than normal. A large amount of food has been added to the refrigerator. The door is opened too often. The door is not closed completely. The temperature control is not set correctly. The door gasket does not seal properly. The refrigerator does not have the correct clearances.
Vibrations	Check to assure that the refrigerator is level.
The refrigerator seems to make too much noise.	The rattling noise may come from the flow of the refrigerant, which is normal. As each cycle ends, you may hear gurgling sounds caused by the flow of refrigerant in your refrigerator. Contraction and expansion of the inside walls may cause popping and crackling noises. The refrigerator is not level.
The door will not close properly.	The refrigerator is not level. The door was reversed and not properly installed. The gasket is dirty. The shelves are out of position.

Call Free 1.800.848.1633 • Fax Free 1.800.447.2923

Web: www.HealthCareLogistics.com • Email: hcl@HealthCareLogistics.com